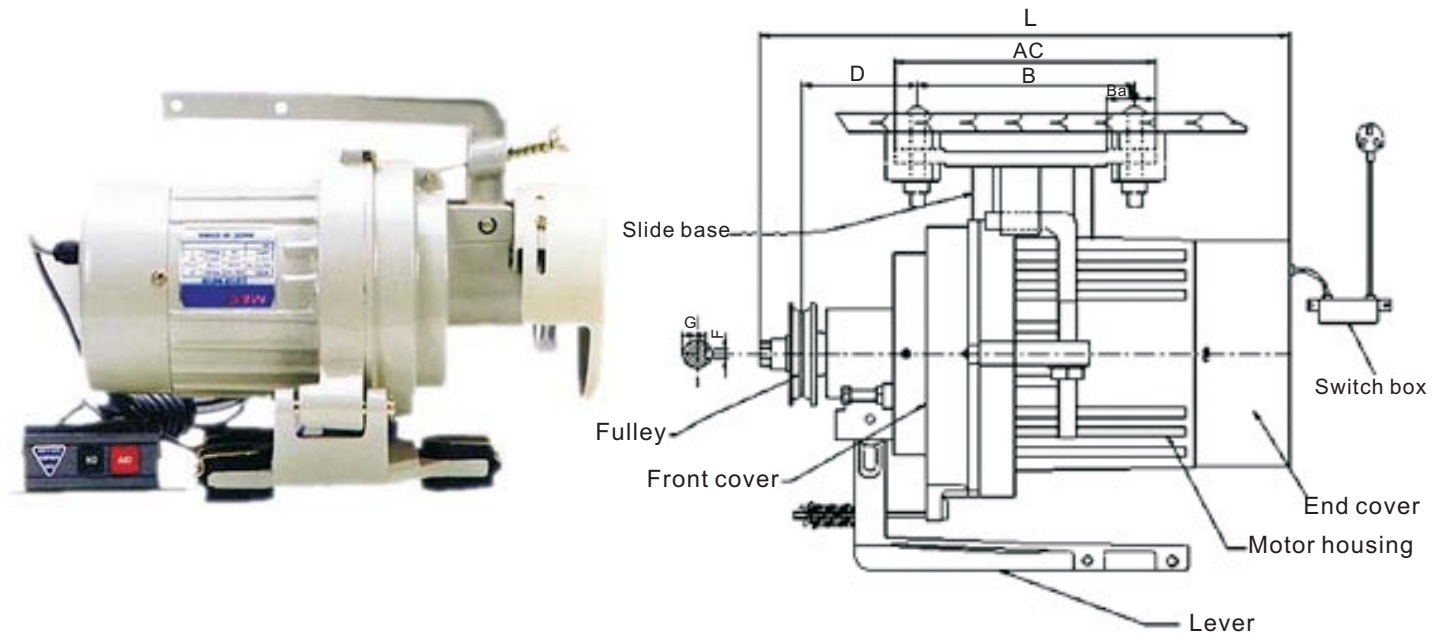


CLUTCH MOTOR

GUANGZHOU HAOQING MOTOR CO.,LTD

CLUTCH MOTOR



Main Application

Industrial sewing machine clutch motor suit to the variety kinds of sewing machines.

Features

- ※This motor has the advantages of reasonable structure, newly style, good functions, reliable operations, convenient adjustment, soft libration, low temperature, and so on.
- ※The measurement of the motor in stalling is according with international standard, and which can exchange with the same products at home and abroad.
- ※There is a switch of the direction at the end cover of the motor, if need to change the dirction, just dial the switch of the other hand.

Specification Chart (The following specifications can be changed as your requirement)

Type	Voltage(V)	Output Power		Frequency(Hz)	Speed(rpm)	G.WT(kg)	Measurement(cm)
		W	HP				
AKD-22-250	220	250	1/3	50	2850	17.4	37X29X23
AKD-22-250	220	250	1/3	60	3450	20	40X30X25.5
AKD-11/22-250	110/220	250	1/3	60	1725	20	
AKD-38-250	380	250	1/3	50	1400	20.5	
AKD-38-370	380	370	1/2	50	2850	17.4	37X29X23
AKD-22-400	220	400	1/2	50	2850	21	40X30X25.5
AKD-22-400	220	400	1/2	50	1400	22	
AKD-11/22-400	110/220	370(400)	1/2	60	3450	21	
AKD-11/22-400	110/220	370(400)	1/2	60	1725	22	
AKD-22/38-400	220/380	370(400)	1/2	50	1400	21	
AKD-22-550	220	550	3/4	50	2850	21.5	40X30X25.5
AKD-22-550	220	550	3/4	50	1400	23	
AKD-11/22-550	110/220	550	3/4	60	3450	21.5	
AKD-11/22-550	110/220	550	3/4	60	1725	23	
AKD-22/38-550	220/380	550	3/4	50	2850	20.7	
AKD-22/38-550	220/380	550	3/4	50	1400	21.5	

GUANGZHOU HAOQING MOTOR CO.,LTD

E-mail: sherry@gzhqmotor.com

Website: <http://www.gzhqmotor.com>